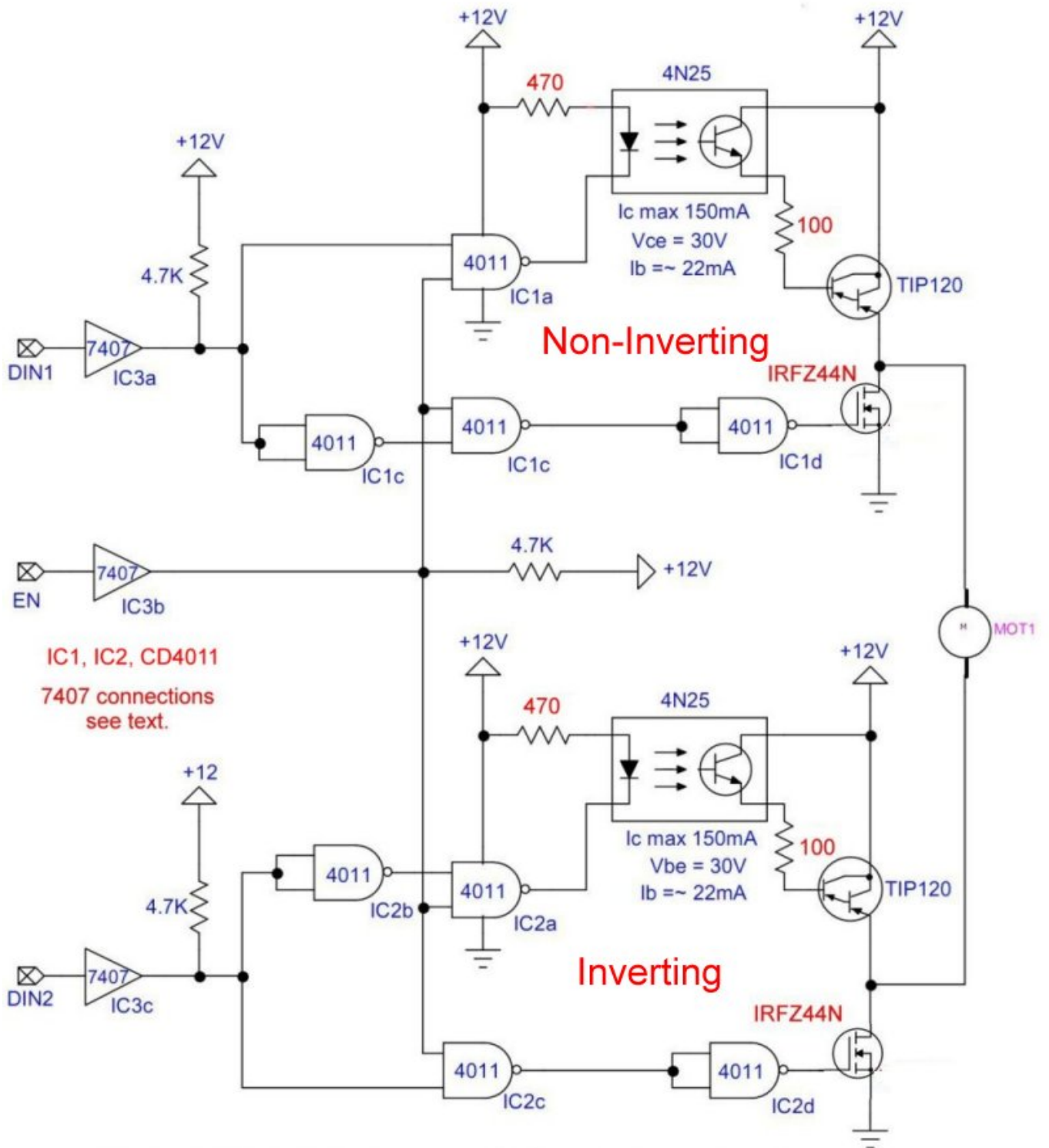




Download

[H Bridge Gate Driver Circuit](#)



12-Volt Tri-State H-Bridge uses 3 ICs, 2 optocouplers 4 transistors

www.bristolwatch.com

[H Bridge Gate Driver Circuit](#)



Download

Gate drivers can be provided either on-chip or as a discrete module. In essence, a gate driver consists of a combination with an... Find sources: – (October 2015) A gate driver is a that accepts a low-power input from a controller and produces a high-current drive input for the gate of a high-power transistor such as an.

1. [bridge gate driver circuit](#)

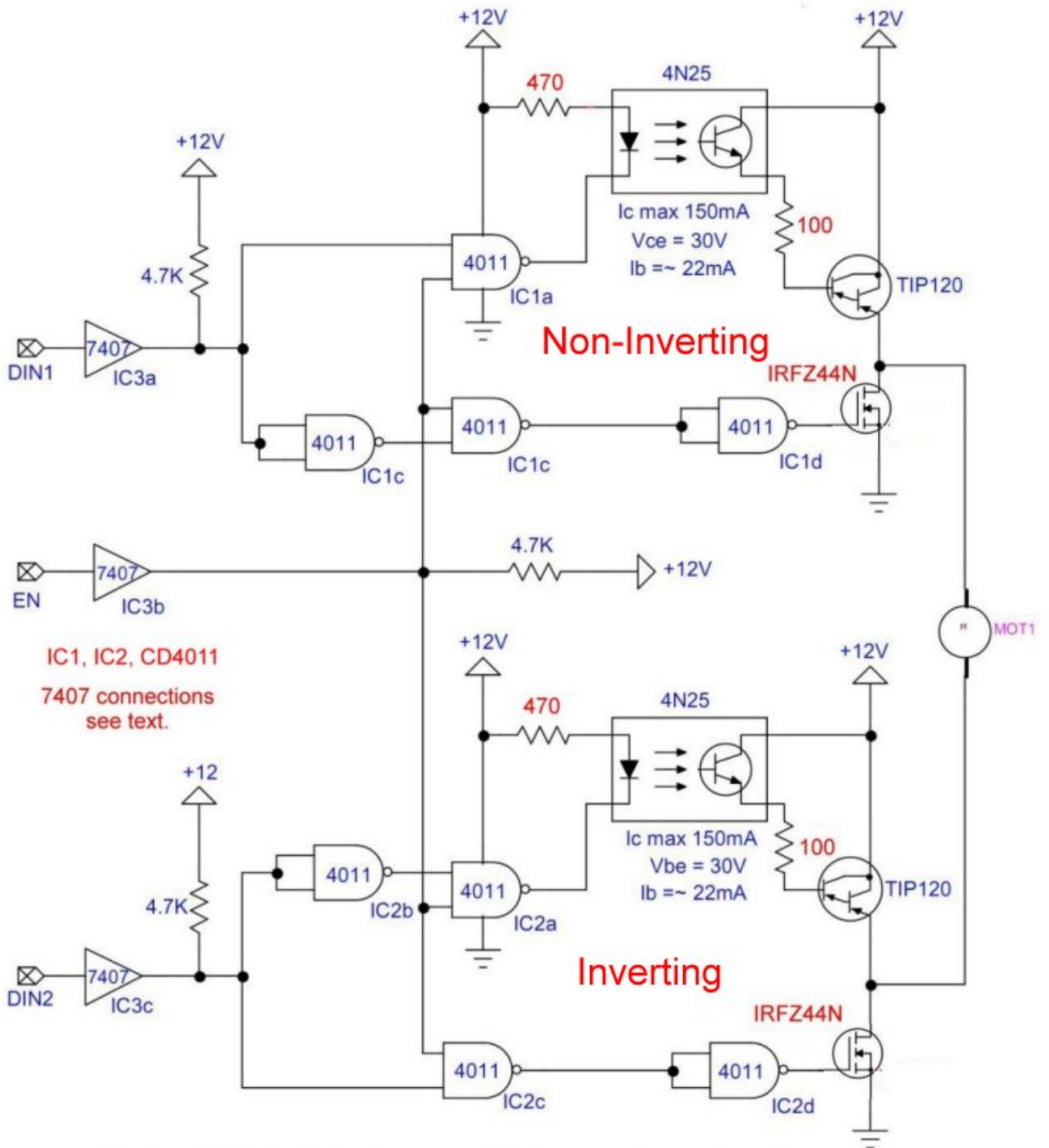
2. [h bridge gate driver circuit](#)

An integrated gate-driver solution reduces design complexity, development time, bill of materials (BOM), and board space while improving reliability over discretely-implemented gate-drive solutions.. This article needs additional citations for Unsourced material may be challenged and removed.. A gate driver IC serves as the interface between control signals (digital or analog controllers) and power switches (IGBTs, MOSFETs, SiC MOSFETs, and GaN HEMTs).

bridge gate driver circuit

bridge gate driver circuit, half bridge gate driver circuit, h bridge gate driver circuit [Keyboard Yamaha Style Free Download](#)

[Asus Eee Pc 1001ha Recovery Disk Download](#)



12-Volt Tri-State H-Bridge uses 3 ICs, 2 optocouplers 4 transistors

www.bristolwatch.com

[Moorhuhn Kart 3](#)

h bridge gate driver circuit

[Driver Impressora Hp Deskjet 840c Windows 7 64 Bits](#)
[What Ap To Download Mac Software](#)

[Presonus Studio One Download Mac](#)

34bbb28f04 [Movavi Screen Capture Activation Keygen](#)

34bbb28f04

[Best Live Streaming Sites For Cricket Vpn Proxy For Mac](#)